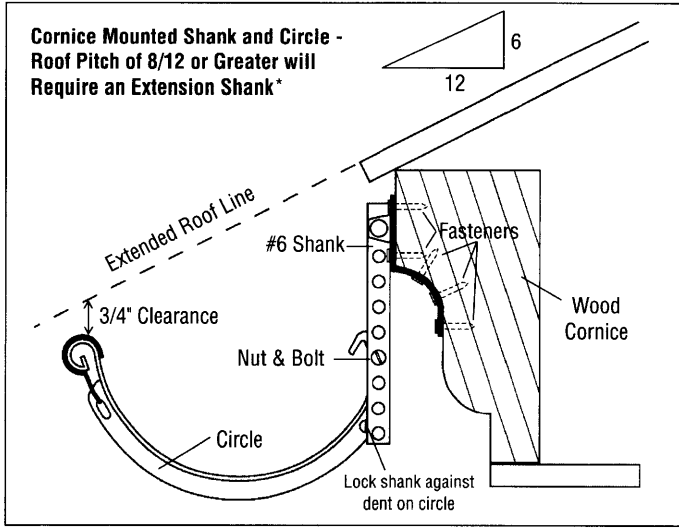
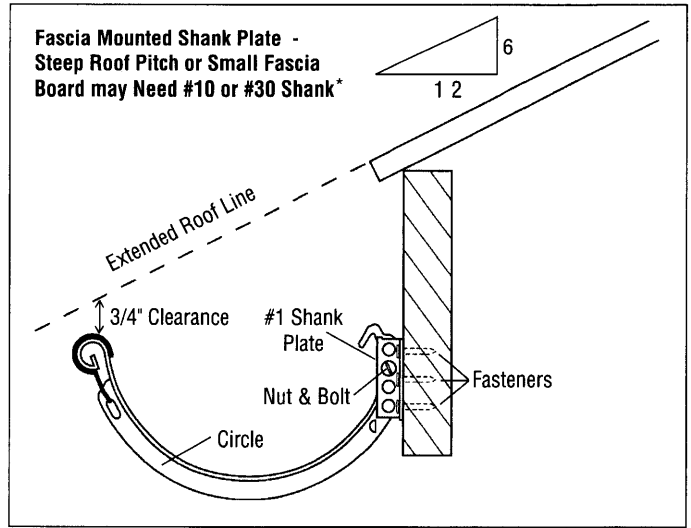


# TYPICAL GUTTER HANGER DETAILS

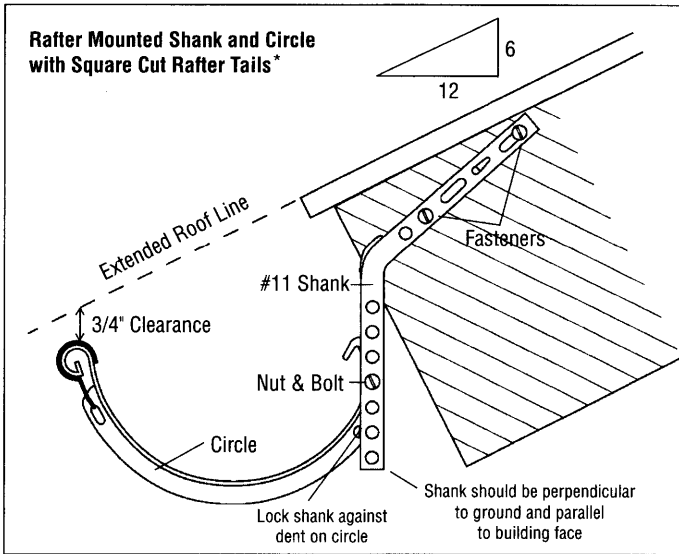
**Cornice Mounted Shank and Circle - Roof Pitch of 8/12 or Greater will Require an Extension Shank\***



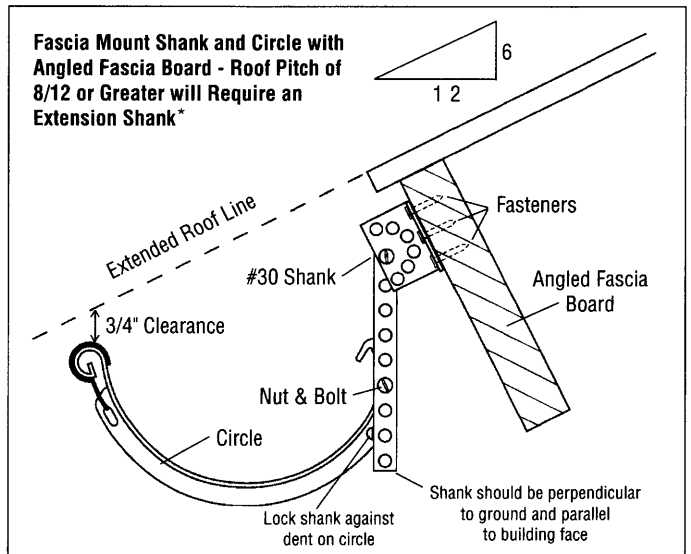
**Fascia Mounted Shank Plate - Steep Roof Pitch or Small Fascia Board may Need #10 or #30 Shank\***



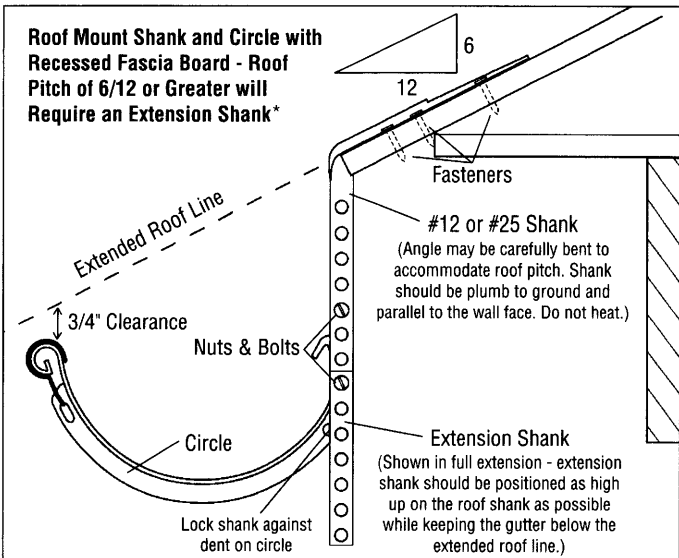
**Rafter Mounted Shank and Circle with Square Cut Rafter Tails\***



**Fascia Mount Shank and Circle with Angled Fascia Board - Roof Pitch of 8/12 or Greater will Require an Extension Shank\***



**Roof Mount Shank and Circle with Recessed Fascia Board - Roof Pitch of 6/12 or Greater will Require an Extension Shank\***



**Fascia Mounted Shank with 6" Fascia Board - Roof Pitch of Greater than 12/12 will Require an Extension Shank - Fascia Board of Less than 6" will Require Extension Shank\***

